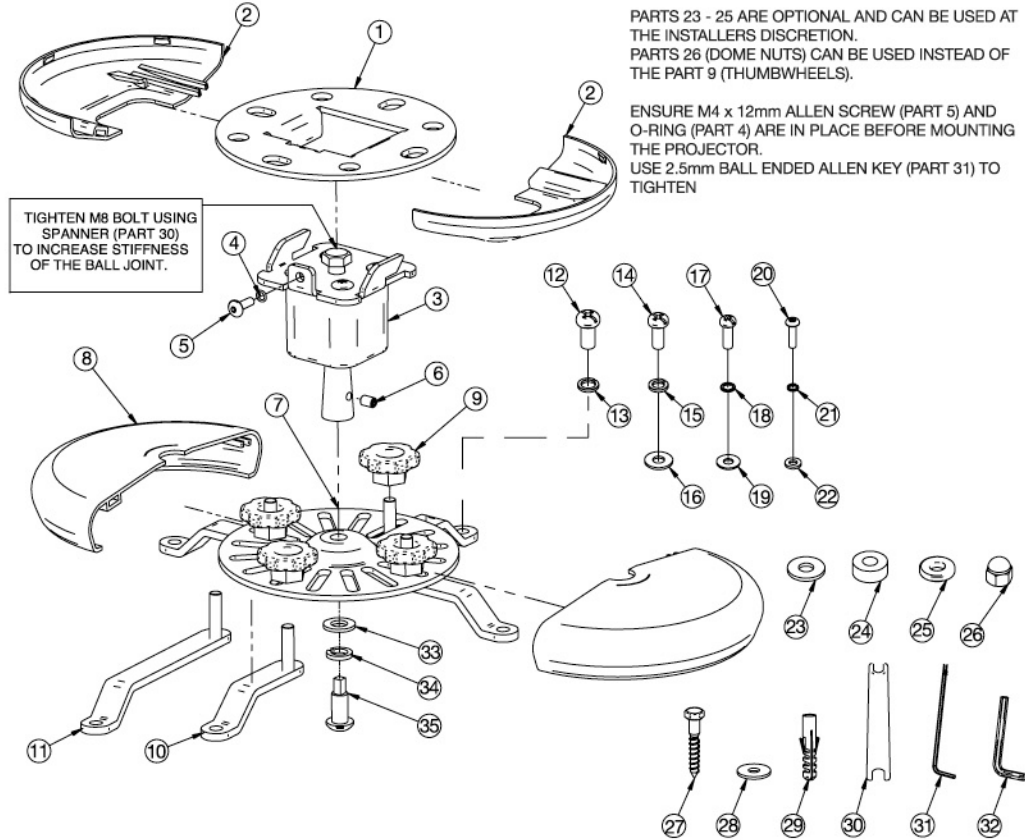


SUITABLE FOR M6, M5, M4 AND M3 MOUNTING HOLES
PLEASE USE THE APPROPRIATE SCREWS AND
WASHERS (PARTS 12 - 22) AS ILLUSTRATED.
THE LEGS (PART 10 + 11) CAN BE USED IN ANY
NUMBER OR COMBINATION TO SUIT THE PROJECTOR.

PARTS 23 - 25 ARE OPTIONAL AND CAN BE USED AT
THE INSTALLERS DISCRETION.
PARTS 26 (DOME NUTS) CAN BE USED INSTEAD OF
THE PART 9 (THUMBWHEELS).

ENSURE M4 x 12mm ALLEN SCREW (PART 5) AND
O-RING (PART 4) ARE IN PLACE BEFORE MOUNTING
THE PROJECTOR.
USE 2.5mm BALL ENDED ALLEN KEY (PART 31) TO
TIGHTEN



Nc	PART NAME	QTY	Nc	PART NAME	QTY	Nc	PART NAME	QTY	Nc	PART NAME	QTY
1	CEILING PLATE	1	10	SHORT LEG	4	19	M4 PLAIN WASHER	4	28	M8 OD19 T2 PLAIN WASHER	4
2	CEILING COVER PLATE	2	11	LONG LEG	4	20	M3 x 12 SCREW	4	29	10mm WALL PLUG	4
3	BALL JOINT BRACKET	1	12	M6 x 12 SCREW	4	21	M3 SPRING WASHER	4	30	13mm/10mm SPANNER	1
4	ID4 O-RING (GREY)	1	13	M6 SPRING WASHER	4	22	M3 PLAIN WASHER	4	31	2.5mm BALL ENDED ALLEN KEY	1
5	M4 x 12 ALLEN SCREW	1	14	M5 x 12 SCREW	4	23	M6 PLAIN WASHER	8	32	5mm ALLEN KEY	1
6	M5 x 6 GRUB SCREW	1	15	M5 SPRING WASHER	4	24	M6 x T6 SPACER	4	33	M8 OD16 T1.6 PLAIN WASHER	1
7	CAROUSEL	1	16	M5 PLAIN WASHER	4	25	M6 x T3 PLAIN WASHER	4	34	M8 SPRING WASHER	1
8	CAROUSEL COVER PLATE	2	17	M4 x 12 SCREW	4	26	M6 DOME NUT	4	35	M8 SQUARE ENDED ALLEN SCREW	1
9	THUMBWHEEL	4	18	M4 SPRING WASHER	4	27	M8 x 50 COACH SCREW	4			
									PARTS 10 TO 26 ARE OPTIONAL		

B-TECH INTERNATIONAL LTD
Croydon • CR0 9UG • UK
info@b-tech-int.com
www.b-tech-int.com

B-TECH AUDIO VIDEO MOUNTS
Buffalo • NY 14215 • USA
Tel: 1 716 989 6007
Fax: 1 800 592 2876
info@btechavmounts.com

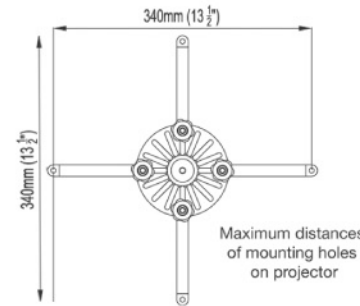
B-TECH AUDIO VIDEO MOUNTS PTE LTD
048624 • Singapore
info@btechavmounts.com

AVIBALL™

PROJECTOR CEILING MOUNT WITH TILT AND PIVOT ASSEMBLY AND INSTALLATION

THIS PACK CONTAINS 1 CEILING MOUNT.

PRODUCT INFORMATION



• Max weight of Projector 15Kg (33lbs) • +/- 37° Tilt* • 74° Pivot

Important Safety Instructions:

Do not install this product until the instructions and warnings have been read and understood thoroughly. Please keep these instructions for future reference.

Due to the weight of projectors and their fragile nature, B-Tech recommends that a professional installer is used when mounting this bracket. If you do not understand the instructions provided, or are not sure how to install this product, please contact a professional for advice and/or to install this mount. Failure to mount this bracket correctly may lead to serious injury and/or death. Please pay careful attention to where this mount is located. Some ceilings are not suitable for installation. If you install this mount on drywall it must be anchored into a wood stud, concrete block or brick behind the drywall. It is not suitable for securing to steel studs or weak concrete / brick. Installing on drywall alone will not support the weight of a projector. Ensure sufficient space and safety distance is allowed when installing this product. If installing in a public area, or over the likely path of pedestrians, this product should be mounted as far as possible from the public / pedestrians.

When drilling holes it is particularly important to take care of electrical cables, water or gas pipes in the ceiling. It is important that all fixing screws supplied are used. If the fixing screws included are not sufficient for the wall you are mounting this product on, please consult your local hardware store.

The projector attached must weigh no more than the recommended weight of 15 Kg (33lbs).

This mount must be mounted flat on a ceiling to prevent free motion due to the weight of the projector when adjusting the position. If there is any doubt, consult the instruction manual of your projector.

Proper attention should be paid when laying the connecting cables so that they do not cause a hazard.

Pay careful attention to moving parts of the bracket, especially when assembling and adjusting, as fingers (or other body parts) may become trapped. The projector may have free motion due to its own weight. It is recommended that periodic inspections are made of the mount to ensure that there is no change to the fixings or mount. When cleaning the mount, use dry cloth only. B-Tech International Limited, its distributors and dealers are not liable or responsible for damage or injury caused by improper installation. Improper use or failure to observe these safety instructions. In such cases any guarantee will expire.



CAUTION: This ceiling mount is intended for use only with the maximum weights indicated. Use with heavier than the maximum weights indicated may result in instability causing possible injury

COPYRIGHT 2006 B-TECH INTERNATIONAL LTD
For more information on B-Tech please visit: www.b-tech-int.com

Patent Application
No: GB0610754.1



BETTER BY DESIGN™

BT889 PROJECTOR CEILING MOUNT

ASSEMBLY & INSTALLATION
(Parts list on back page)

COPYRIGHT 2006
B-TECH INTERNATIONAL LTD

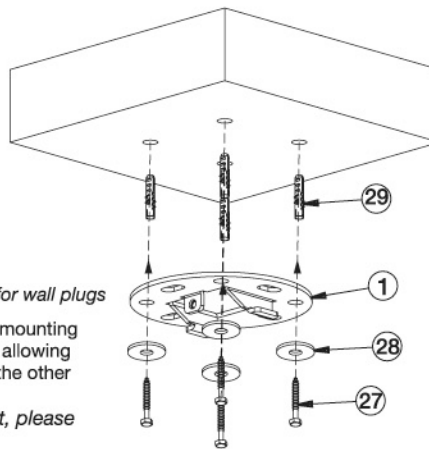
1

Choose a suitable location for ceiling mount (**part 1**). Use all 4 M8 coach screws (**part 27**), washers (**part 28**) and wall plugs (**part 29**) provided and distribute as evenly as possible to spread the load.

Use a 10mm (3/8") drill bit to make holes for wall plugs

This wall mount has been designed with mounting holes large enough to be drilled through, allowing one ceiling screw to be mounted before the other 3 holes being drilled.

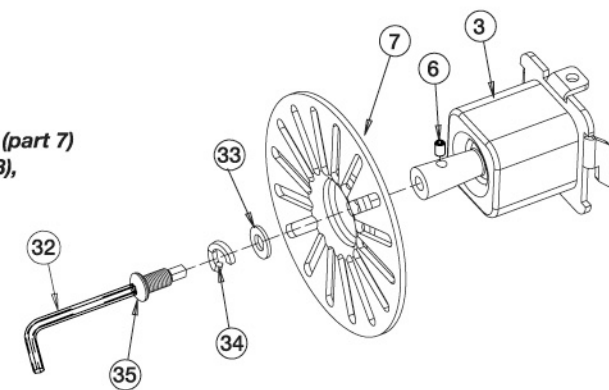
(If unsure about mounting this product, please consult a professional installer).



2

Assemble carousel mount (**part 7**) to ball-joint bracket (**part 3**), using the square end allen screw (**part 35**) with washer (**part 33**) and spring washer (**part 34**).

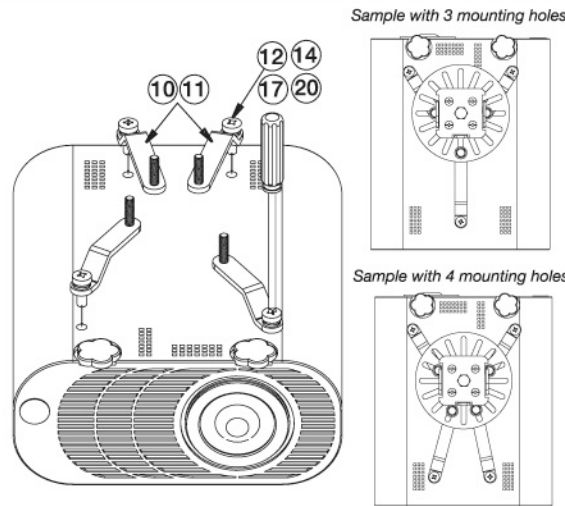
Once securely attached, fasten grub screw (**part 6**) into ball joint arm (**part 3**). (This will stop projector bracket plate from unnecessarily rotating once mount is installed).



3

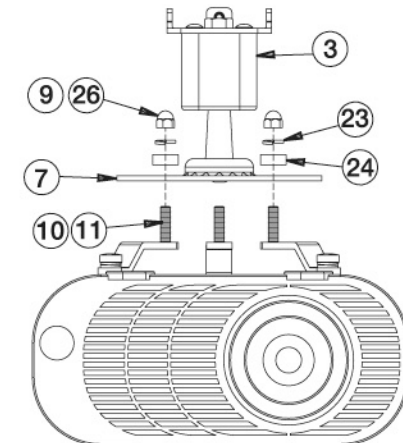
Depending on the number of mounting holes on your projector (typically there will be 3 or 4 - see diagrams on far right), choose which "arms" are needed (**parts 10 and 11**). Place the arms in positions that are as symmetrical as possible (where possible, use 4 arms). To choose the correct bracket arms, the centre of gravity of the projector must be considered. Mount the centre of the carousel as close as possible to the centre of gravity of the projector (Please note that the centre of the projector is not always the centre of gravity as the weight may be unevenly distributed).

Choose the required mounting screws - M3, M4, M5 and M6 screws (**parts 12, 14, 17 & 20**) are provided (please check your projector's manual for screw sizes and mounting hole locations). If the projector has recessed holes, or has an uneven mounting surface, then choose suitable spacers (**parts 24 & 25**) and/or washers (**parts 16, 19 & 22**) with spring washers (**parts 13, 15, 18 & 21**) to allow for a level mounting. **Do NOT overtighten.**



4

Place the ball-joint bracket & carousel mount (**part 3 & 7**) so that all arms (**parts 10, 11**) fit into one of the slots. Use either the thumbwheels (**part 9**) for easy access to projector light bulb, or the locking dome nuts (**part 26**) to secure arms position on carousel mount (**part 7**). Tighten the screws (**parts 12, 14, 17, 20**) fixing the arms to the projector.

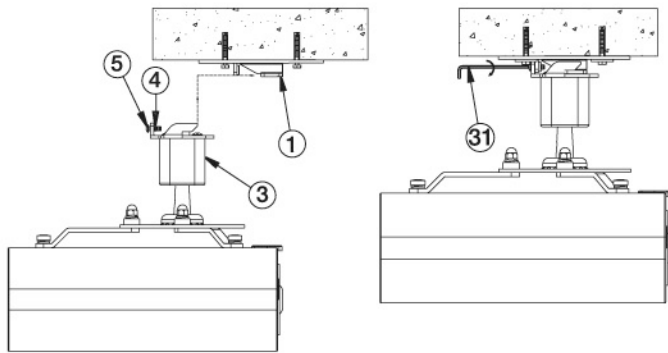


5

Insert M4 allen screw (**part 5**) into the top of ball-joint bracket (**part 3**).

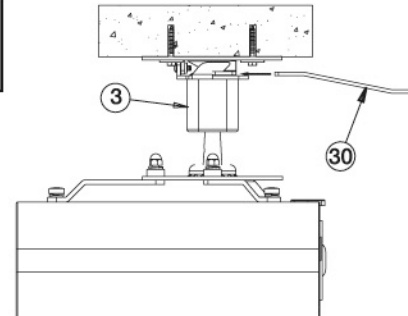
The rubber O ring (**part 4**) should be placed underneath the hole to hold locking screw in place before being fastened. (This part may come pre-assembled).

Slide projector bracket (**part 3**) onto ceiling mount (**part 1**) and tighten locking screw with 2.5mm Allen Key (**part 31**).



6

The Aviball arm allows the projector to move freely 37° in any direction or to rotate 360°. Once projector is adjusted to preferred angle, use the spanner (**part 30**) to make a small adjustment of the M8 bolt on rear side of ball-joint bracket (**part 3**) to increase stiffness of arm and to lock projector in position.



7

To complete installation attach the two halves of the carousel coverplates (**part 8**) over the carousel disc (**part 7**), then attach the two ceiling coverplates (**part 2**) over the ceiling bracket (**part 1**).

