



Professional LCD Television TH-32LRG20E

Product specification (design and specification subject to change without notice)

■ DISPLAY

Screen Size (Diagonal)	32-inch (80 cm)
Aspect ratio	16:9
Panel	IPS alpha LCD Panel
Number of pixels (H x V)	1,366 x 768 pixel
Brightness (Panel)	450 cd/m ²
Contrast Ratio (Dynamic)	20,000 :1 [†]
Viewing Angle	178 degrees (CR≥10)

*1: The ratio of the brightness of a screen displaying an all-white signal to the brightness of a screen displaying an all-black signal.

■ TV TUNER

Integrated Tuners*	PAL -B/G/H, -I, -D/K; SECAM -B/G, -D/K, L/L'; DVB-T, DVB-T (MPEG4-AVC [H.264]), DVB-C (MPEG4-AVC [H.264])AVC [H.264])
Teletext Reception	1000P TOP/FASTTEXT Level 2.5

*Notice for DVB functions:

This TV is designed to meet the standards (current as of August, 2009) of DVB-T/C (MPEG2 and MPEG4-AVC [H.264]) services. The compatibility with future DVB services is not guaranteed.

DVB-T MPEG4-AVC broadcast is available in selected countries: Denmark, Spain, Estonia, France, Lithuania, Norway, Slovenia, Sweden, Poland, Hungary, Portugal.

DVB-C feature is available only in following countries: Sweden (ComHem, Canal Digital), Demark (YouSee), Norway (Canal Digital), Finland (Cable Ready HD), Germany, Switzerland, Netherlands

The country list above is as of January 1st, 2010. Check the latest information on the available services at the following website (English only):<http://panasonic.jp/support/global/cs/tv/>

■ SIGNAL COMPATIBILITY

Applicable Scanning Format	Full-HD	1125 (1080)/50i, 1125 (1080)/60i, 1125 (1080)/24p (HDMI only), 1125 (1080)/50p (HDMI only), 1125 (1080)/60p (HDMI only)
	HD	750 (720)/50p, 750 (720)/60p
	SD	525 (480)/60i, 525 (480)/60p, 625 (576)/50i, 625 (576)/50p
PC Signal		600 x 400, 640 x 480, 800 x 600, 832 x 624, 1024 x 768, 1152 x 864, 1280 x 768, 864 x 512

■ CONNECTION TERMINAL

CI (Common Interface)	Yes	
HDMI Input	HDMI x 2 (rear)	
Support Feature	Audio Return Channel (Input 2)	
Composite Video Input	RCA x 1 (rear)	1.0 V [p-p] (75Ω)
Component Video Input	RCA x 3 (rear)	Y : with sync 1.0 V [p-p] (75Ω) Pb, Pr : 0.7 V [p-p] (75Ω)
PC Input	MINI D-SUB 15PIN x1(Female)	G : with sync 1.0 V [p-p] (75Ω) B, R : 0.7 V [p-p] (75Ω) HD/VD: 1.0~5.0 V [p-p] (high impedance) 0.5 V [rms]
Audio Input (Composite, Component, PC)	RCA (L/R) x 1 set (rear)	
Analogue Audio Output	RCA (L/R) x 1 set (rear)	
Digital Audio Output (Optical)	1(rear)	
Headphone Jack	M3 jack x 1 (side)	
Ir through	M3 jack x 1 (rear)	
Serial (RS232C)	M3 jack x 1 (rear)	
SD Card Slot	Yes	
SCART (21-Pin Input/Output)	AV In/Out, S-Video In, RGB In, Q-Link (rear)	

■ ELECTRICAL

Power Requirements	AC 220 - 240 V, 50 Hz
Power Consumption	93W
On Mode Average Power Consumption*2	77W
Stand-by / Power off condition	0.3W / 0.2W

*2: Based on IEC 62087 measurement method.

■ AUDIO

Audio Output Power	10W + 10W (10%THD)
Invisible Speaker System Details	1 way 2 bottom Speaker
Virtual Surround	V-Audio
Dolby Digital/dts Out	Dolby Digital Plus/dts Out

■ DIMENSIONS & WEIGHT

TV with Stand (W x H x D)	798 x 551 x 217 mm
TV without Stand (W x H x D)	798 x 511 x 93 mm
Carton Dimensions (W x H x D)	1019 x 633 x 191 mm
TV with Stand Weight	approx. 10.9 kg
TV without Stand Weight	approx. 9.2 kg
Gross weight	approx. 13.9 kg
Cabinet Color	Black

■ ENVIRONMENTAL

Operating environment	Temperature	: 0°C to 35°C
	Humidity	: 20% to 80% (Non condensation)
Storage environment	Temperature	: -20°C to 50°C
	Humidity	: 20% to 65% (Non condensation)

MAIN FEATURE

SD Card	Image Viewer (AVCHD/JPEG playback) Cloning
EPG (Now and Next)	Yes
EPG for DVB-T (7days)	Gemstar EPG: Italy, Germany, Spain; 7-Days SI EPG: France, Sweden
VIERA Link	Y (HDAVI Control 5)
Multi Window	PAT
Welcome Message	Yes
Eco Mode*	Yes
Game Mode	Yes
Q-Link	Yes
OFF Timer	15/30/45/60/75/90
Initial INPUT	Yes
INPUT Lock	Yes
Initial VOL level	Yes
Maximum VOL level	Yes
Bottom Lock	Yes
Remote control User Level	Yes

*Contrast Automatic Tracking System

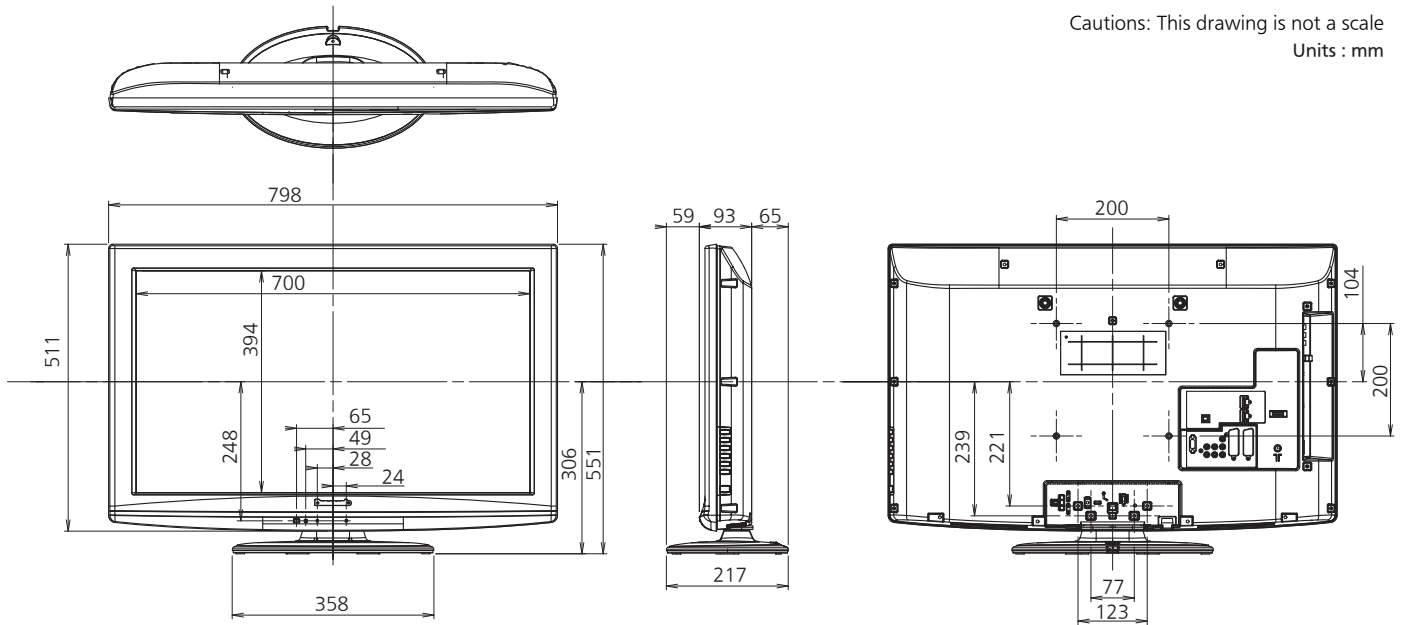
ACCESSORIES

INCLUDED ACCESSORIES	Pedestal Converter Cable (M3 to D-sub 9pin) Remote control transmitter Operating Instruction
OPTIONAL ACCESSORIES	Wall hanging bracket (TY-WK3L2RW) VESA Compliant W200xH200

STANDARD (CERTIFICATIONS)

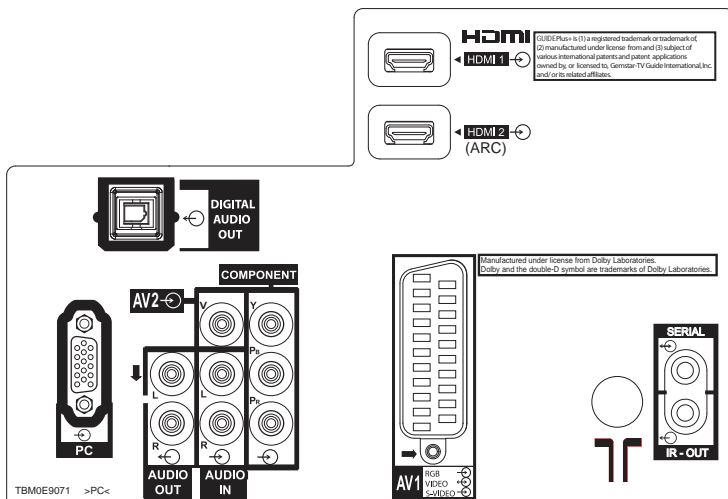
SAFETY REGULATIONS	EN60065;2002/CE Mark/BEAB Mark
RADIATION REGULATIONS	EN55013/EN55020/EN61000-3-2/ EN61000-3-3/EN55022 (ClassB)/ EN55024

DIMENSIONS



CONNECTION TERMINAL

<rear>



<side>

